

1x2 Triplexer WDM Coupler for FTTH



All AC Photonics' products are Telcordia qualification tested.

Key Features

- Low Insertion Loss
- High Channel Isolation
- High Stability and Reliability
- Epoxy Free Optical Path

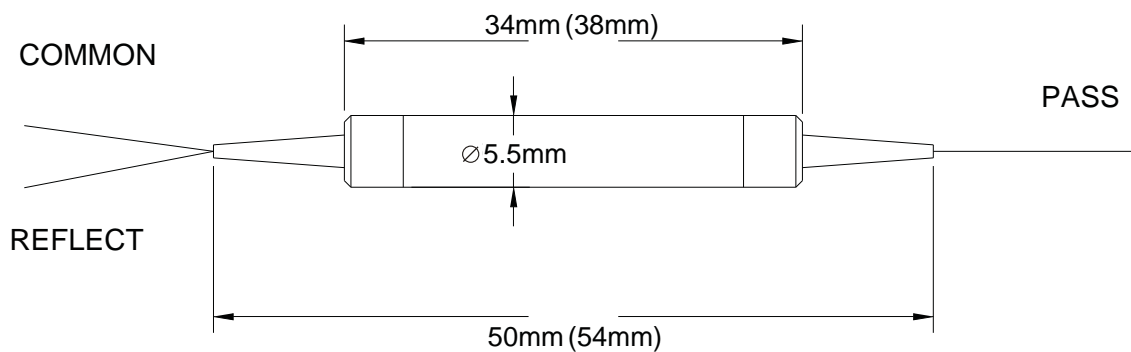
Applications

- FTTX Application
- WDM Network System

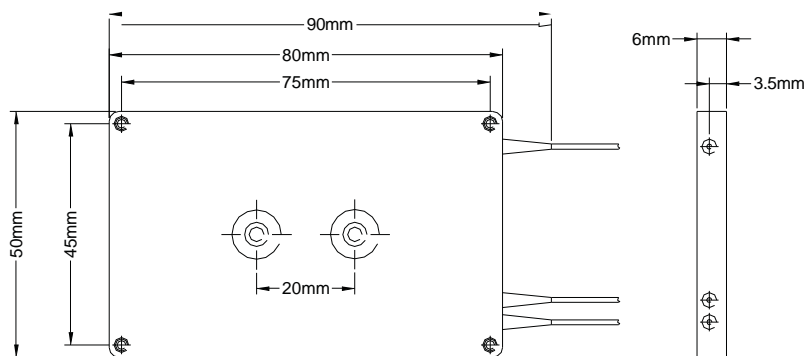
Performance Specifications

Parameter	Specifications	
	Standard Isolation	High Isolation
Operating Wavelength	1310nm ± 50nm, 1490nm ± 10nm, 1555nm ± 5nm	
Pass (λ_p) /Reflection Band (λ_R)	On customer request	
Pass Band Insertion Loss	≤ 0.8dB	≤ 0.8dB
Reflection Band Insertion Loss	≤ 0.5dB	≤ 0.8dB
Isolation @ λ_p	≥ 40dB	≥ 40dB
Isolation @ λ_R	≥ 15dB	≥ 40dB
Insertion Loss Temperature Sensitivity	≤ 0.003dB/°C	
Wavelength Temperature Shifting	≤ 0.002nm/°C	
Polarization Dependent Loss	≤ 0.10dB	
Directivity	≥ 50dB	
Return Loss	≥ 55dB	
Optical Power	≤ 300mW	
Operating Temperature	0 to +70°C	
Storage Temperature	-40 to +85°C	
Package Dimensions	Ø5.5 x L34mm (L38 for 900um)	L80nm x W50nm x H6.0nm

Mechanical Dimensions (Standard Isolation)



Mechanical Dimensions (High Isolation)



Ordering Information

MWDM	<input type="checkbox"/> <input type="checkbox"/>	FTTH	<input type="checkbox"/>	<input type="checkbox"/>	<input type="checkbox"/>	<input type="checkbox"/> <input type="checkbox"/>
	Wavelength		Option	Pigtail Style	Fiber Length	In/Out Connector
	5T = 13/14 Reflect, 15 Pass 5R = 13/14 Pass, 15 Reflect 4T = 13/15 Reflect, 14 Ppass		S = Standard H = High Isolation	1 = Bare Fiber 2 = 900um Jacket	1 = 1.0m 2 = 2.0m	0 = None 1 = FC/APC 2 = FC/PC 3 = SC/APC 4 = SC/PC 5 = ST 6 = LC/UPC 7 = LC/APC